

INTERMERCATO[®]
HIGH PERFORMANCE LIFT & LOAD ATTACHMENTS

Wood chip buckets Superchip & TGC

Clamshell buckets with optimal geometry for wood chips and aggregates

The superchip with body in oversized excavator design has cutting edges with flat or jagged profile.

TGC wood chip buckets in lighter design for cranes.

SUPERCHIP



KEY FEATURES

- Welded cutting edges made of Hardox[®]
- Body made of Hardox[®]
- Homogeneous guide bars made of Hardox[®]
- 1500 l
- Cutting edges in flat or jagged profile
- BWG bushings with special alloy for extra durability
- Oversized cylinder with double piston rod seals for high pressure

A CAGED ANIMAL.

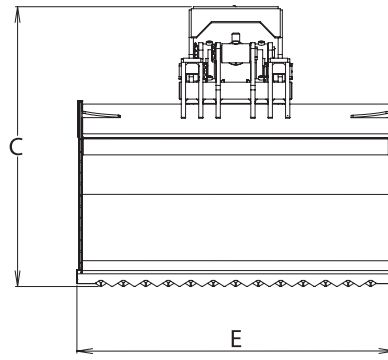
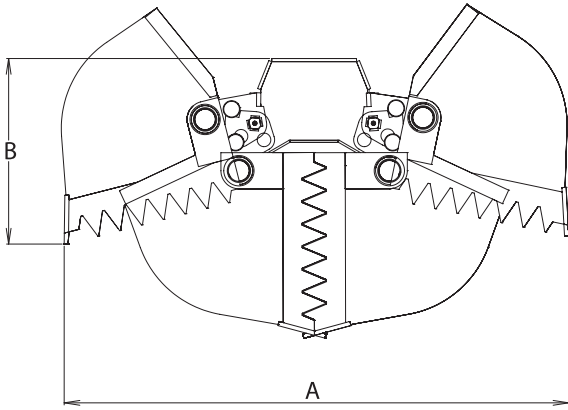
www.intermercato.com

TGC



KEY FEATURES

- Welded cutting edges made of Hardox[®]
- 1000 l
- Double guide bars
- Powerful cylinder with double piston rod seals for high pressure



	TGC 1000	Superchip
A	2110	2340
B	870	904
C	1105	1317
E	1850	1500

MODEL SPECIFICATIONS



TGC 1000	663	1000	250	70	20	1,5	-	-	12-22	-	-
Superchip	710	1500	300	60	16	3	-	-	13-25	-	-

Recommended machine weight and crane size

Accessorize your grab

Rotator and other accessories

Accessorize your wood chip bucket with rotator and link. We can also deliver all our grabs and clamshell buckets complete with hose kit!

Crane scale

Intermercato is world leading in weighing of hanging load. Our crane scales are based on intelligent technology - an advanced algorithm calculates the weight. It's the only RTT&E certified and legal for trade system in the world for hanging load in motion. Your success starts with Intermercato Intelligent Weighing Systems!



Intermercato is not only grabs - Explore our complete range of products on www.intermercato.com, or contact our highly skilled sales team.

INTERMERCATO®

High performance lift and load attachments for Forestry, Transport, Construction and Recycling.



www.intermercato.com | info@intermercato.com | Tel +46 (0)414 20525 | SE-272 93 Tommarp, Sweden