

Our most popular grab designed for the tough job Heavy Duty in its true sense! The robust body in excavator design for rigid mounting makes this grab a versatile tool for intense and heavy applications.

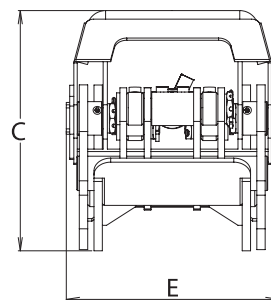
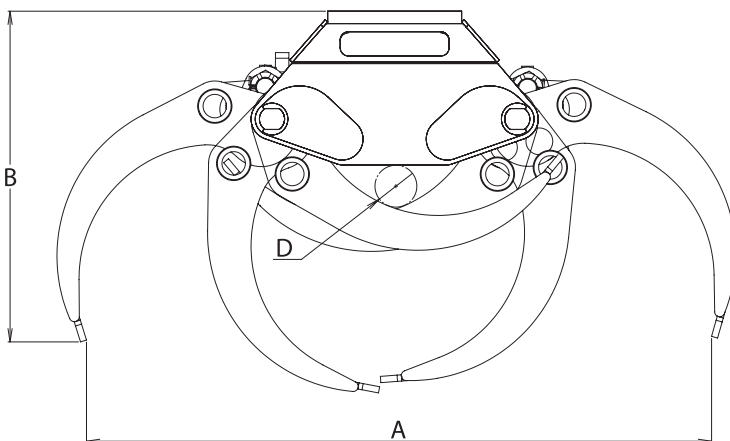


KEY FEATURES

- Made of Hardox®
- Extra reinforced body for rigid mounting
- TG 28 S and up + the entire PRO-series have homogeneous guide bars made of Hardox®
- Optimal roll in- roll out properties
- Cylinder with double piston rod seals for high pressure

DEFINITELY A BEAST.

www.intermercato.com



	TG 12 S	TG 16 S	TG 16 PRO S
A	765	925	930
B	588	590	515
C	381	402	355
D	38	60	47
E	263	301	344

	TG 22 S	TG 22 PRO L	TG 22 PRO S	TG 23 S	TG 25 S	TG 25 PRO S	TG 28 S	TG 35 S	TG 42 S	TG 42 SM	TG 55 S	TG 55 SM	TG 80 S	TG 80 SM	TG 100 SM	TG 120 S	TG 150 S
A	1287	1200	1200	1262	1450	1342	1490	1880	1831	1831	2438	2445	2780	2780	2948	3115	3430
B	594	623	623	631	746	723	785	807	982	982	1025	1025	1176	1129	1432	1571	1692
C	509	446	446	465	510	498	570	594	676	676	802	802	900	935	985	1029	1093
D	87	65	65	55	40	72	100	65	100	100	150	150	170	175	175	180	200
E	321	432	432	411	391	482	508	522	533	533	633	633	633	632	702	1010	1010

MODEL SPECS.



TG 12 S	50	0,12	200	30	8	0,8	2	4	1-3	1-2	-
TG 16 S	65	0,16	200	40	9	1	3	5	1-4	1-3	-
TG 16 PRO S	76	0,16	200	50	7	1	4	7	1-6	1-4	Ja
TG 22 S	112	0,22	200	50	13,5	2	4	7	2-6	2-4	-
TG 22 PRO L	128	0,20	250	50	14,5	2	5	10	3-10	2-6	-
TG 22 PRO S	144	0,20	250	50	14,5	3	5	10	4-12	4-6	Ja
TG 23 S	130	0,23	200	50	13,5	2	5	7	2-8	2-5	-
TG 25 S	171	0,25	250	50	12,6	3	8	10	4-10	3-6	-
TG 25 PRO S	208	0,225	250	50	14,5	4	10	15	6-15	6-10	Ja
TG 28 S	275	0,30	300	50	16,6	5	12	30	8-18	8-12	Ja
TG 35 S	340	0,38	300	50	17,5	7	15	35	10-22	10-14	Ja
TG 42 S	408	0,50	300	60	21,8	8	20	40	12-25	12-16	Ja
TG 42 SM	500	0,50	300	60	21,8	10	25	-	15-30	15-25	-
TG 55 S	760	0,65	300	70	25	10	30	-	16-30	14-18	-
TG 55 SM	945	0,65	300	70	25	10	35	-	20-35	20-30	-
TG 80 S	737	0,80	300	90	22	10	30	-	20-35	-	-
TG 80 SM	1008	0,80	300	90	40	10	40	-	15-35	15-25	-
TG 100 SM	1357	1	300	90	38	12	40	-	20-45	-	-
TG 120 S	1500	1,20	300	90	40	12	40	-	20-45	-	-
TG 150 S	1720	1,50	300	90	40	12	40	-	22-45	-	-

Recommended machine weight and crane size

Accessorize your grab

Crane scale

Intermercato is world leading in weighing of hanging load. Our crane scales are based on intelligent technology - an advanced algorithm calculates the weight. It's the only RTT&E certified and legal for trade system in the world for hanging load in motion.

Rotator and excavator attachment

Accessorize your grab with an excavator attachment! We have suitable attachments for all types of excavators. We can also deliver all our grabs and clamshell buckets complete with hose kit!



INTERMERCATO®

High performance lift and load attachments for Forestry, Transport, Construction and Recycling.

