

# INTERMERCATO® Clamshell buckets

HIGH PERFORMANCE LIFT & LOAD ATTACHMENTS

## TCB

**Clamshell bucket for digging, loading and unloading**  
 Very strong clamshell bucket for tough jobs using a cargo crane.  
 It's so robust that it can also be used for digging.  
 Available in many sizes, also in a low-weight range for lighter applications.

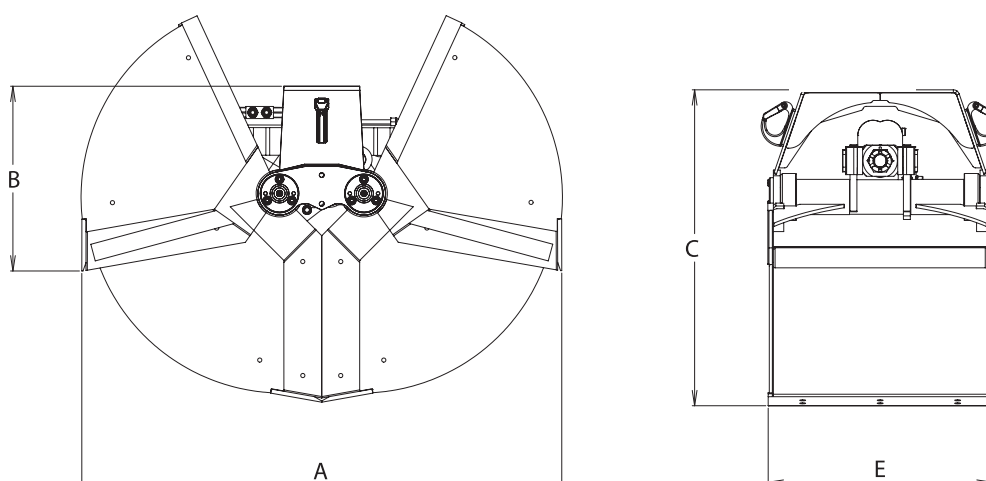


## A CAGED ANIMAL.












### KEY FEATURES

- Welded cutting edges made of Hardox®
- Torsionally rigid
- Welded lifting hooks
- Check valve as standard
- Double guide bars
- Powerful cylinder with double piston rod seals for high pressure

[www.intermercato.com](http://www.intermercato.com)



	TCB 420L	TCB 500L	TCB 650L	TCB 800L	TCB 500	TCB 650	TCB 800	TCB 1000
<b>A</b>	1340	1340	1340	1340	1340	1340	1340	1340
<b>B</b>	957	957	957	957	957	957	957	957
<b>C</b>	1398	1398	1398	1398	1398	1398	1398	1398
<b>E</b>	420	500	650	800	500	650	800	1000

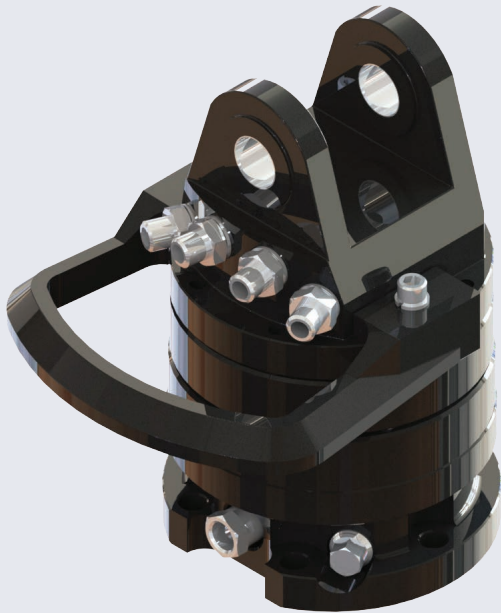
MODEL SPECIFICATIONS	 Kg	 Lt	 Bar	 l/min	 kN	 ton	 tm	 tm	 ton	 ton	
TCB 420L	220	200	250	50	21	2	-	10-32	-	-	-
TCB 500L	240	250	250	50	21	2	-	10-32	-	-	-
TCB 650L	260	350	250	50	21	2	-	10-32	-	-	-
TCB 800L	295	450	250	50	21	2	-	10-32	-	-	-
TCB 500	320	250	300	60	28	3	-	10-32	8-12	-	-
TCB 650	344	350	300	60	28	3	-	10-32	8-12	-	-
TCB 800	368	450	300	60	28	3	-	10-32	8-14	-	-
TCB 1000	398	550	300	60	28	3	-	10-32	8-14	-	-

Recommended machine weight and crane size

## Komplettera din grip

### Rotator and other accessories

Accessorize your TCB with rotator, link and teeth. We can also deliver all our grabs and clamshell buckets complete with hose kit!



### Crane scale

Intermercato is world leading in weighing of hanging load. Our crane scales are based on intelligent technology - an advanced algorithm calculates the weight. It's the only RTT&E certified and legal for trade system in the world for hanging load in motion. Your success starts with Intermercato Intelligent Weighing Systems!



Intermercato is not only grabs - Explore our complete range of products on [www.intermercato.com](http://www.intermercato.com), or contact our highly skilled sales team.

# INTERMERCATO®

High performance lift and load attachments for Forestry, Transport, Construction and Recycling.



[www.intermercato.com](http://www.intermercato.com) | [info@intermercato.com](mailto:info@intermercato.com) | Tel +46 (0)414 20525 | SE-272 93 Tommarp, Sweden